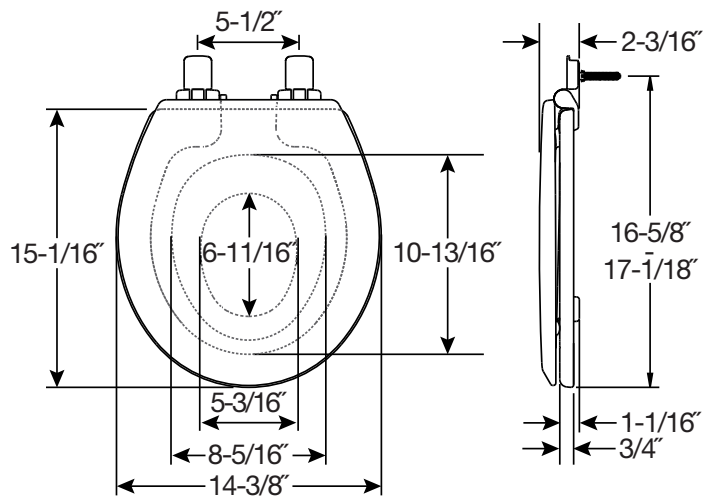




# NEXTSTEP2™ 485E4

RESIDENTIAL ENAMELED WOOD TOILET SEAT



## FEATURES:

- **Built-In Potty Seat™**  
Secures magnetically in cover when not in use
- **Fits Both Adults and Children**  
2-in-1 toilet seat accommodates the needs of both adult and child
- **Plastic Child Seat**  
Easily removes for cleaning or when no longer needed
- **STA-TITE® Seat Fastening System™**  
Never Loosens™
- **Easy•Clean™**  
Quickly removes for easy cleaning
- **Whisper•Close®**  
Slowly and quietly closes
- **Precision Seat Fit™**  
½" front-to-back adjustability provides the perfect bowl fit

## SPECIFICATIONS:

- Size:** Round
- Material:** Enameled Wood / Plastic
- Style:** Closed Front with Cover
- Ring Bumpers:** Two
- Hinges:** Plastic
- Hardware:** STA-TITE® Seat Fastening System™



Proudly Made in the USA

Eco-Friendly

